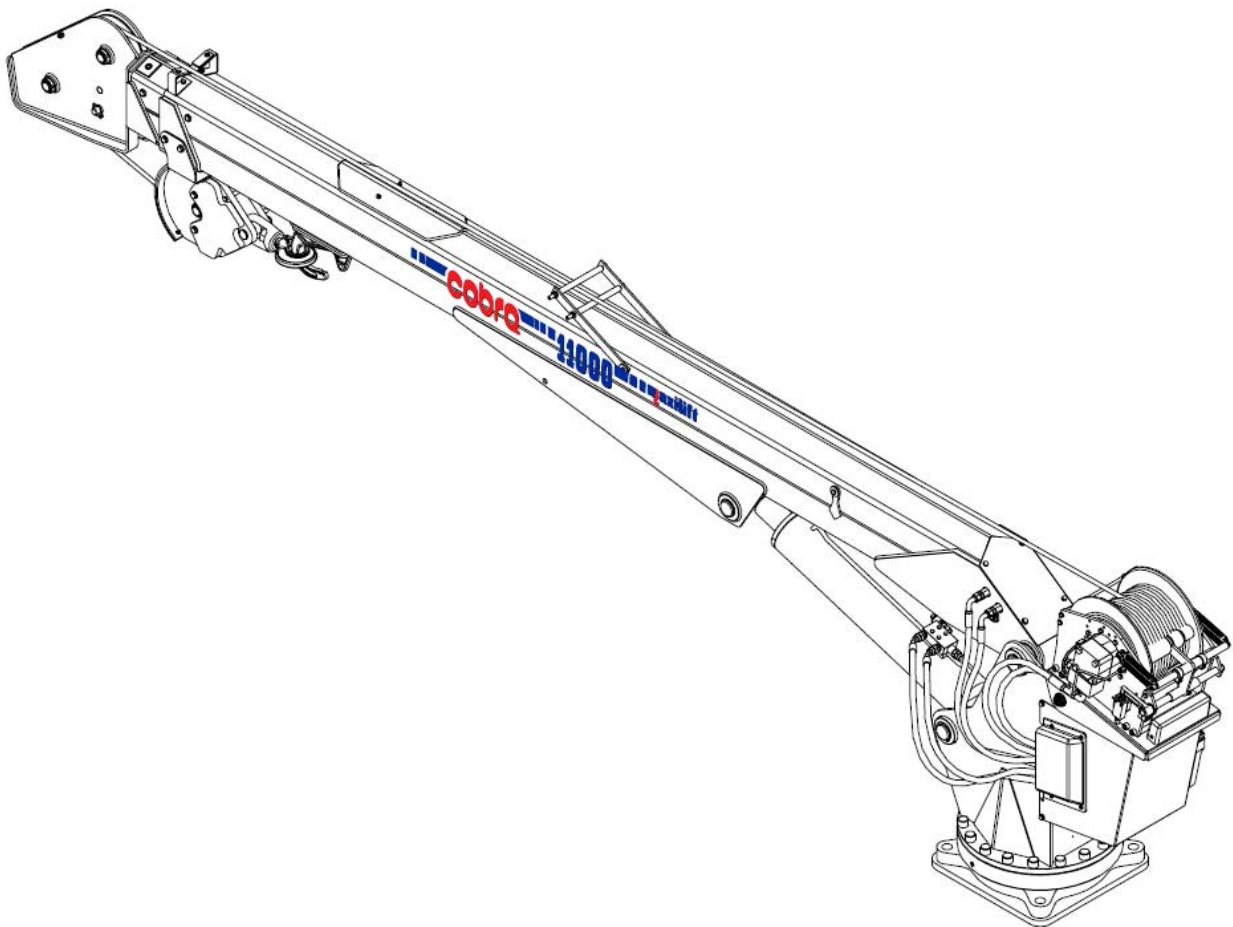


maxilift 11000 cobra

11000.L (28 ft)

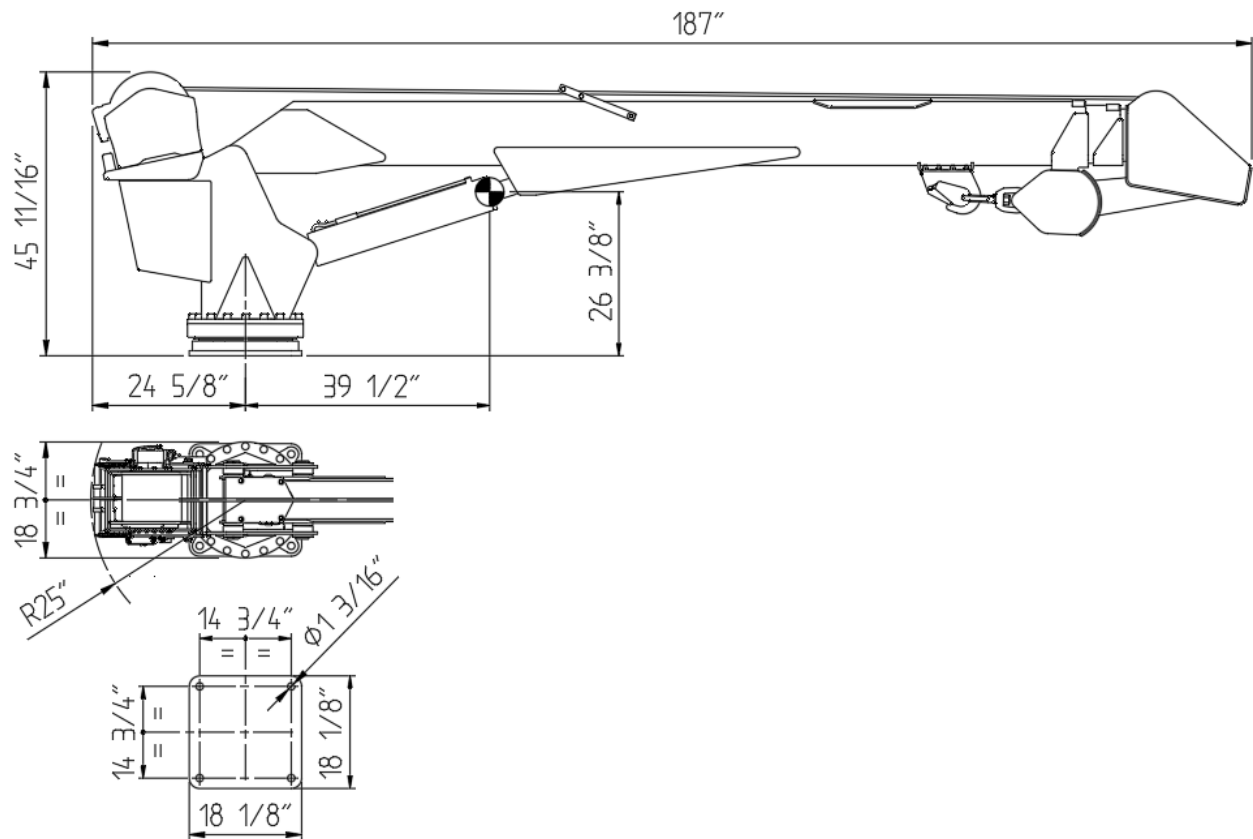
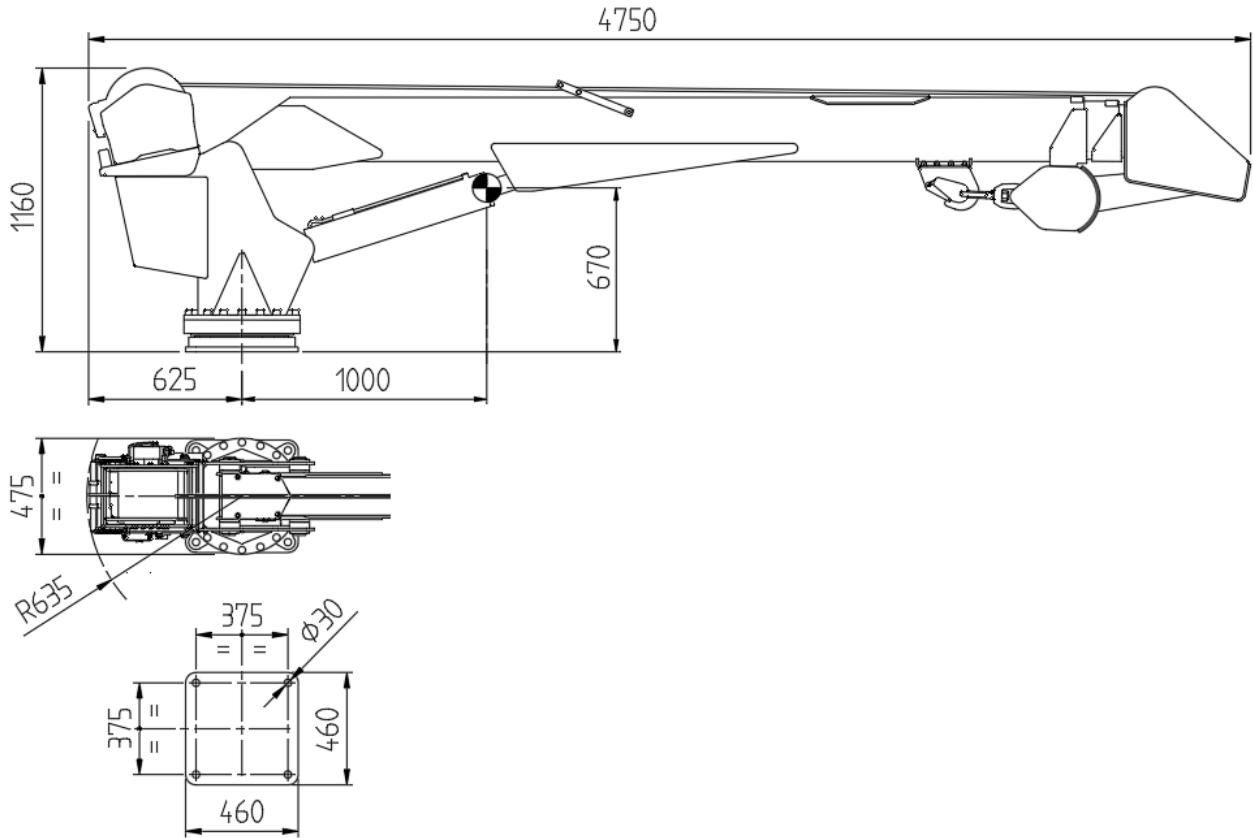


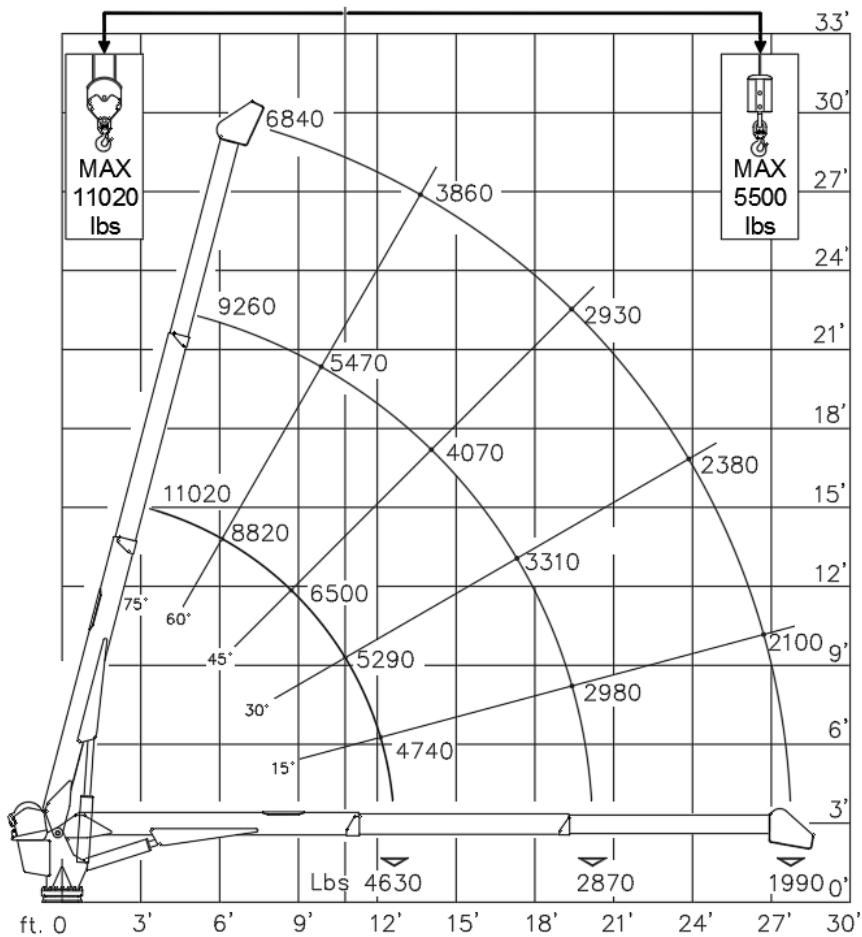
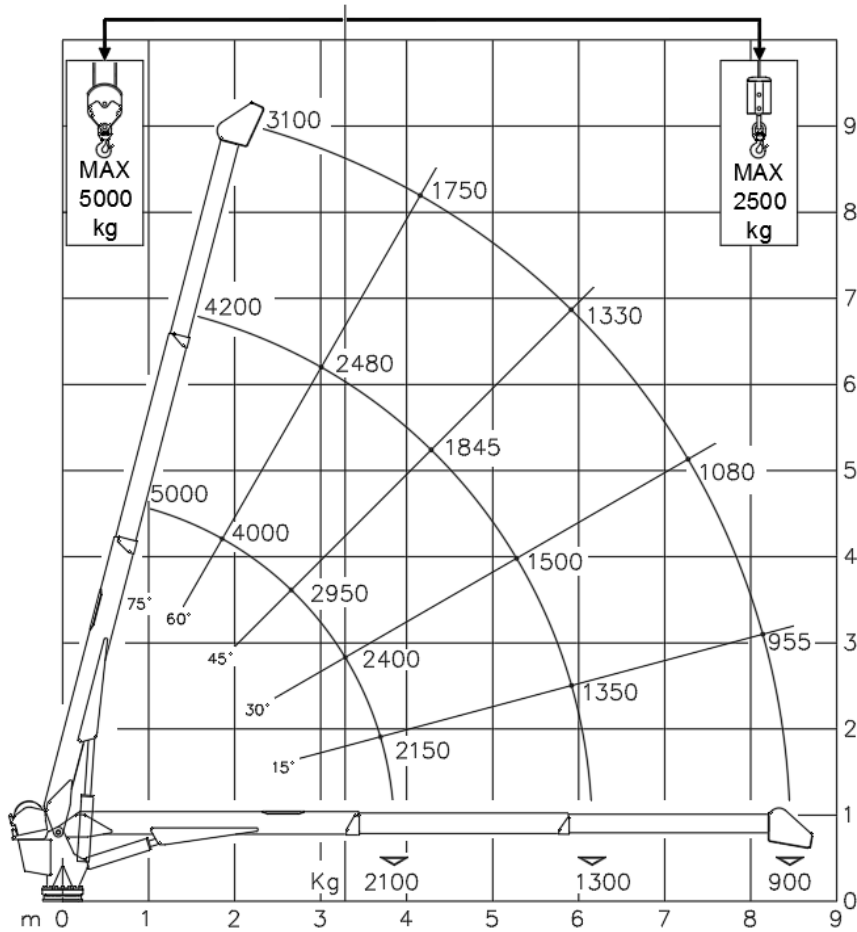
TECHNICAL SHEET

MP.0.210
Rev. 0



Next Hydraulics[®]
RAISE YOUR EXPECTATIONS





| TECHNICAL DATA | | Cobra 11000L (28 ft) | |
|---|---------------|-----------------------------|--|
| CRANE RATING | kNm ft.lbs | 83.2 61400 | |
| EXTENSIONS TYPE | | 2 HYDRAULIC | |
| HYDRAULIC EXTENSION | m ft | 4.6 15' 1" | |
| HORIZONTAL REACH (from center line of rotation) | m ft | 8.55 28' | |
| LIFTING HEIGHT FROM BASE OF CRANE | m ft | 8.6 28' | |
| SLEWING ANGLE | ° | CONTINUOUS | |
| SLEWING TORQUE | kNm ft.lbs | 8.3 6140 | |
| BOOM ELEVATION ANGLE | ° | -10°/ +75° | |
| MAX. WORKING PRESSURE | bar psi | 200 2900 | |
| SUGGESTED OIL FLOW | l/min gpm | 25 6.5 | |
| CRANE WEIGHT | kg lbs | 900 1980 | |

| WINCH SPECIFICATIONS | | |
|--|-----------------|--------------------|
| WINCH SINGLE LINE CAPACITY (1 ST layer) | kg lbs | 2900 6400 |
| WINCH SINGLE LINE CAPACITY (3 RD layer) | kg lbs | 2500 5500 |
| WINCH PULL LINE SPEED (2 ND -3 RD layer) | m/min ft/min | 10 - 13 33 - 43 |
| WIRE ROPE DIAMETER | mm in | 12 15/32" |
| WIRE ROPE LENGTH | m ft | 35 115' |