



TECHNICAL SHEET

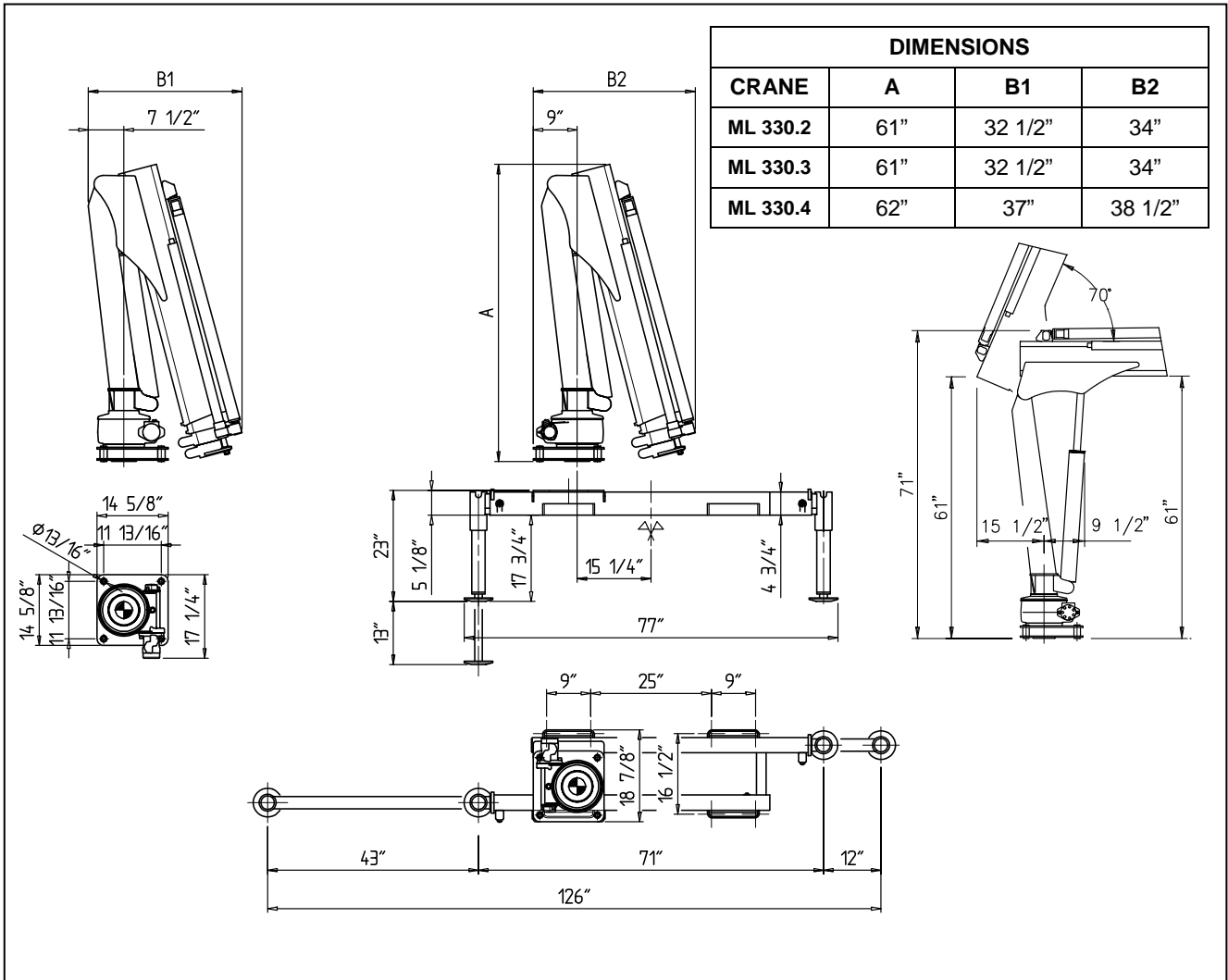


Cod.: MP.0.169 US
Rev.: 1

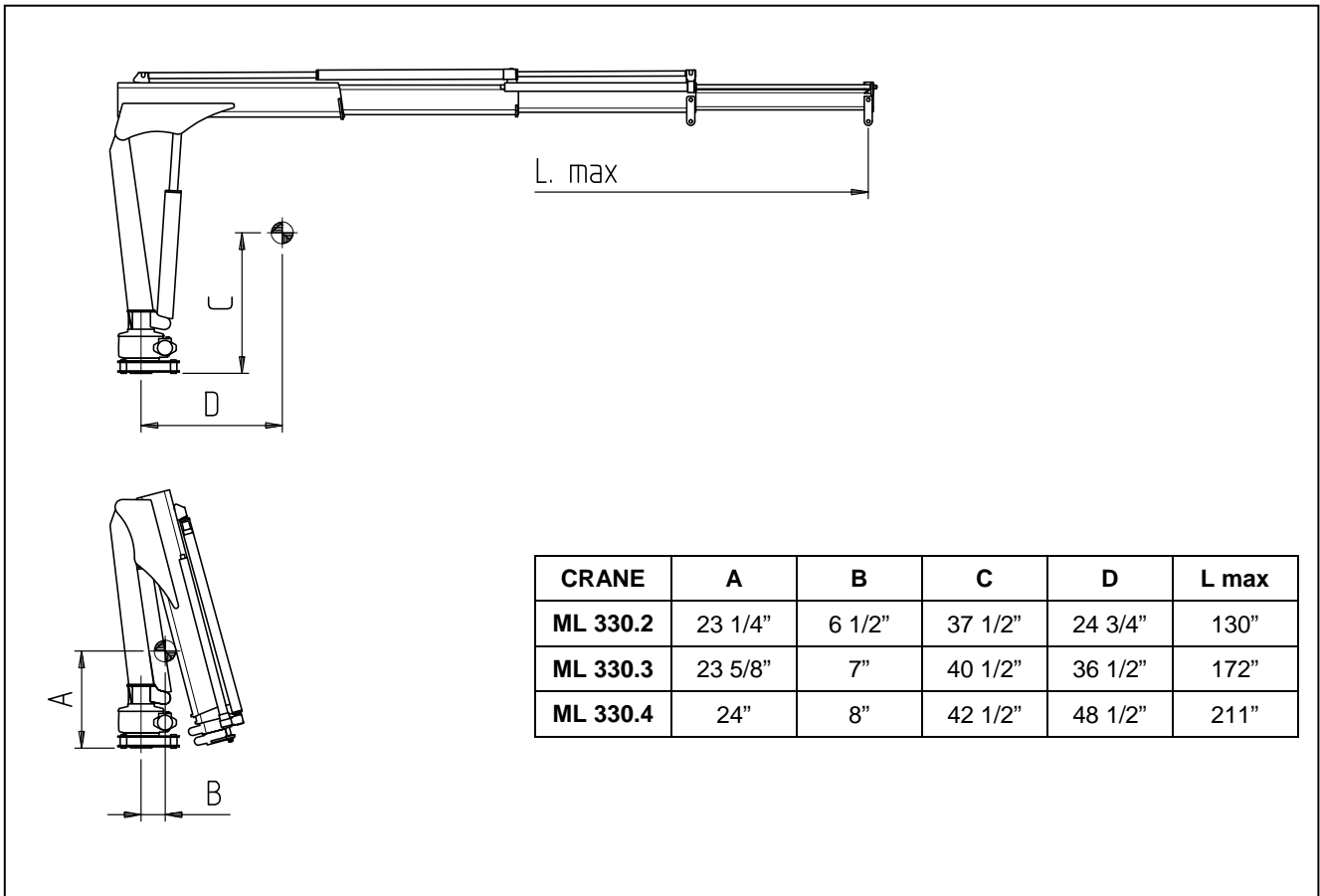


Next Hydraulics®
RAISE YOUR EXPECTATIONS



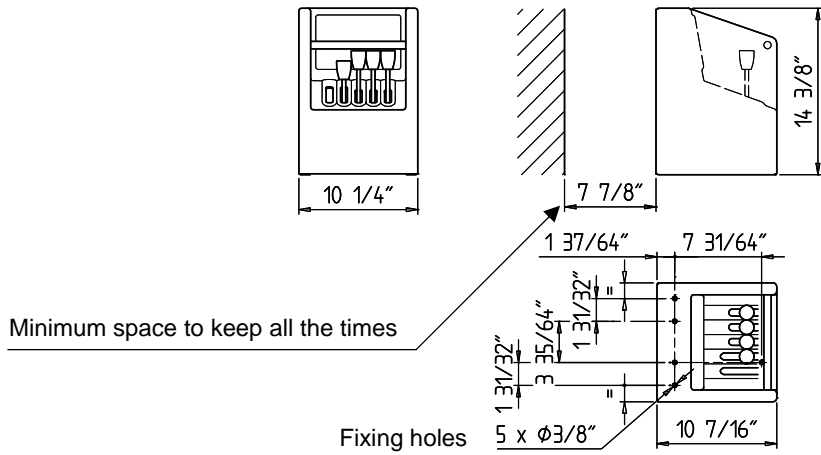


DIMENSIONS			
CRANE	A	B1	B2
ML 330.2	61"	32 1/2"	34"
ML 330.3	61"	32 1/2"	34"
ML 330.4	62"	37"	38 1/2"

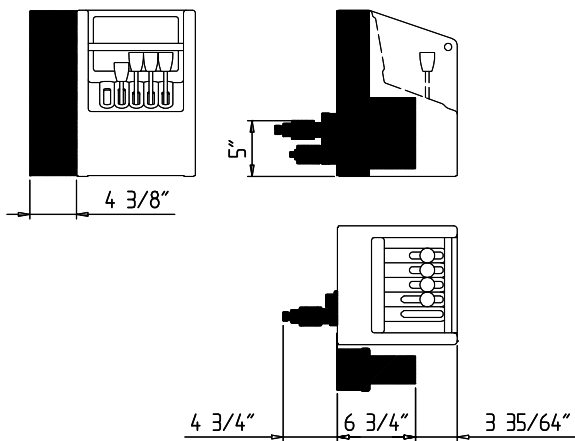


CRANE	A	B	C	D	L max
ML 330.2	23 1/4"	6 1/2"	37 1/2"	24 3/4"	130"
ML 330.3	23 5/8"	7"	40 1/2"	36 1/2"	172"
ML 330.4	24"	8"	42 1/2"	48 1/2"	211"

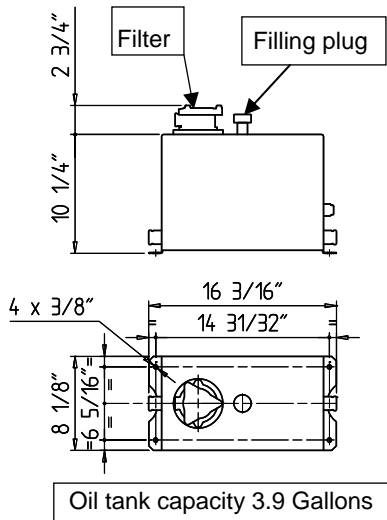
Standard control station



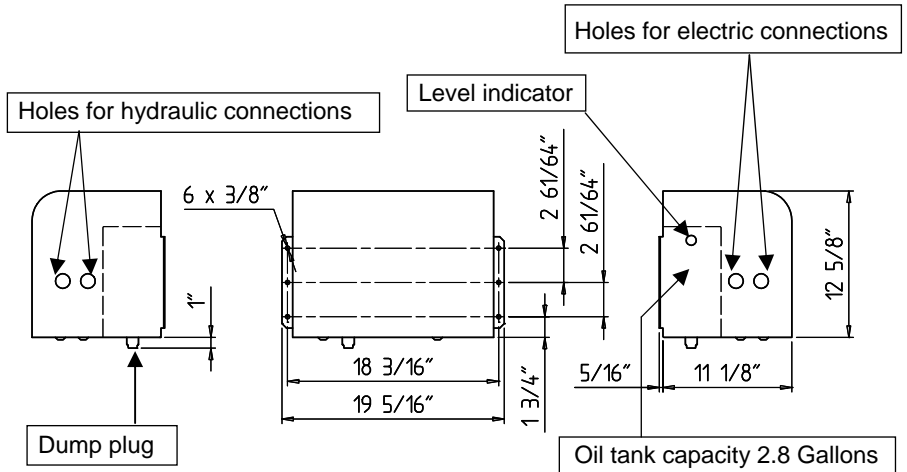
Control station with remote control



Oil tank for H version



Power pack (E version)



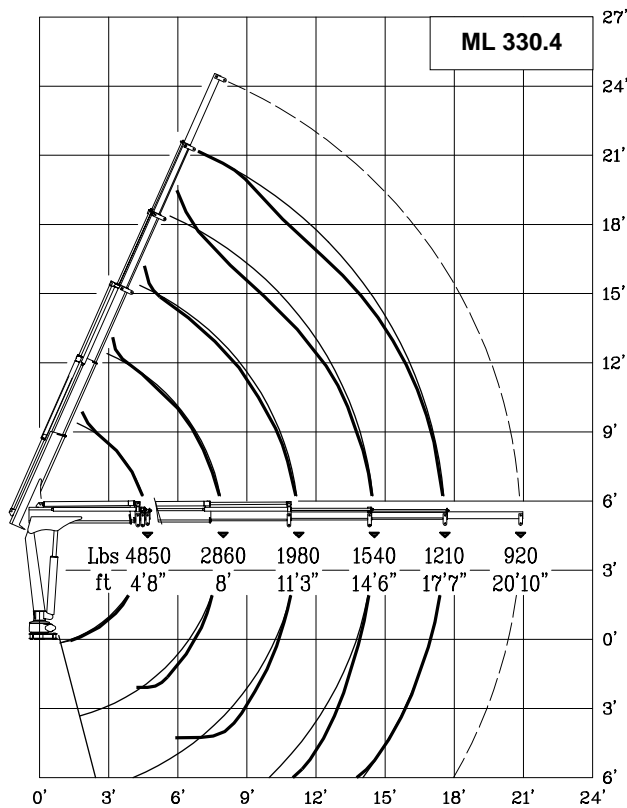
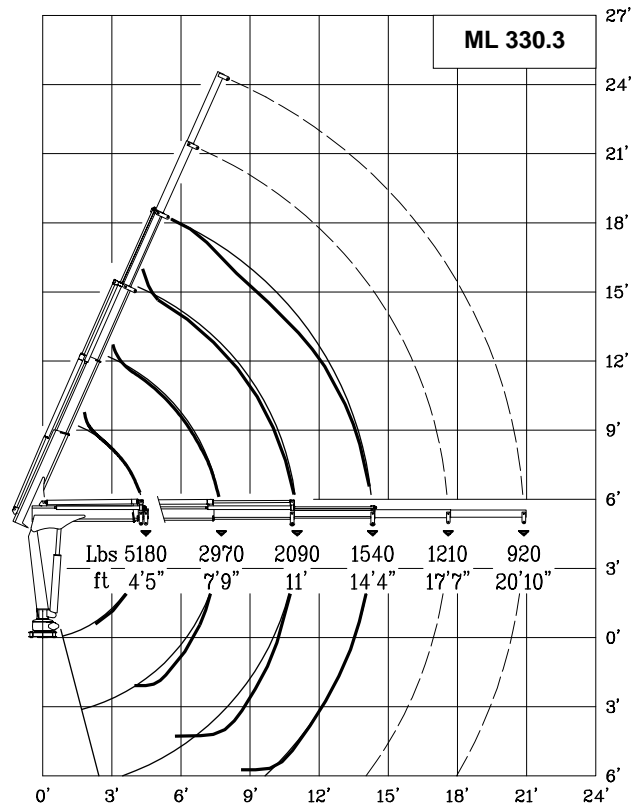
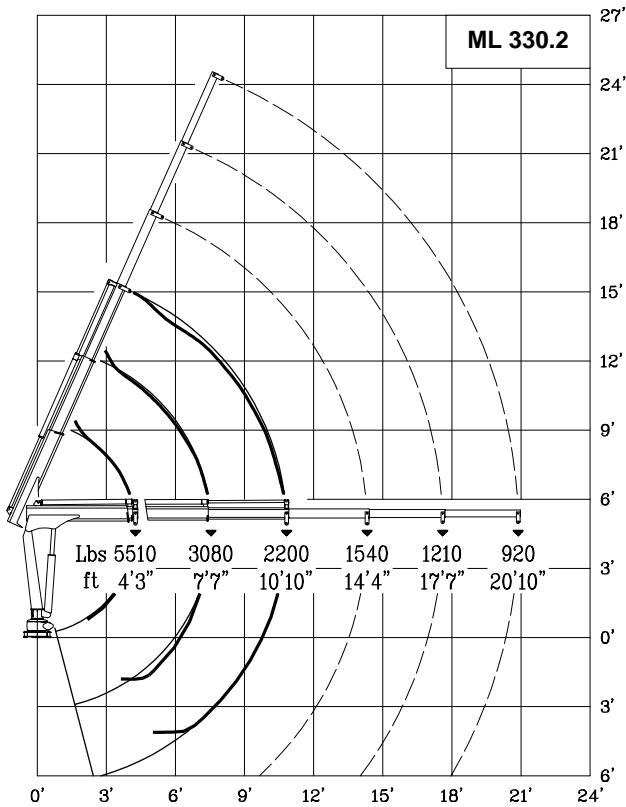
TECHNICAL DATA	U.M.	VERSION		
		ML 330.2	ML 330.3	ML 330.4
CRANE RATING	ft lbs	23600		
STANDARD EXTENSIONS Nr (HYDRAULICS)	N°	2H	3H	4H
STANDARD OUTREACH	ft	10' 10"	14' 4"	17' 7"
SLEWING ANGLE	°	360°		
MAXIMUM ANGLE SLOPE	°	5°		
SLEWING TORQUE	ft lbs	3100		
MAX. LIFTING HEIGHT FROM CRANE BASE	ft	14' 9"	18'	21'
SUGGESTED OIL FLOW	gpm	2.6÷3.2		
MAX. WORKING PRESSURE	p.s.i.	3190		
BASIC CRANE WEIGHT VERS. "H" VERS. "E"	lbs	595	650	715
		640	695	760
BASE WEIGHT WITH EXTENDABLE STABILIZERS	lbs	285÷305		
BEAM WEIGHT WITH 2 EXTENDABLE STABILIZERS	lbs	150÷180		
MOTOR ABSORPTION FOR ELECTROHYDR. CRANE 12V	A min/max	80/260	80/260	80/260
MOTOR ABSORPTION FOR ELECTROHYDR. CRANE 24V	A min/max	50/160	50/160	50/160

WINCH SPECIFICATIONS	U.M.	
MAX. WINCH SINGLE LINE CAPACITY (3 rd LAYER)	lbs	1540
ROPE DIAMETER	inches	9/32"
ROPE LENGTH	ft	82
WINCH KIT WEIGHT	lbs	155

VERSION	DESCRIPTION
"E" 12V	ELECTROHYDRAULIC
"E" 24V	ELECTROHYDRAULIC
"H"	HYDRAULIC

OPERATING TIMES										
VERS.	SLEWING (rpm)	LIFTING (sec)		LOWERING (sec)	EXTENSION OUT (sec)			EXTENSION IN (sec)		
		p min	pmax		330.2	330.3	330.4	330.2	330.3	330.4
"E" 12/24V	2	25	38	14	25	32	42	14	19	24
"H" (PTO)	2.2	21		14	25	32	42	14	19	24

p min: min. working pressure
p max: max. working pressure



Lifting class **HC1 – HD4/B2**



by Next Hydraulics Via Mediterraneo n°6, 42022 Boretto (R.E.) Italy

Tel.: +39.0522.963008, Fax.: +39.0522.963039 <http://www.maxiliftcrane.com> E-mail: info@maxiliftcrane.com



