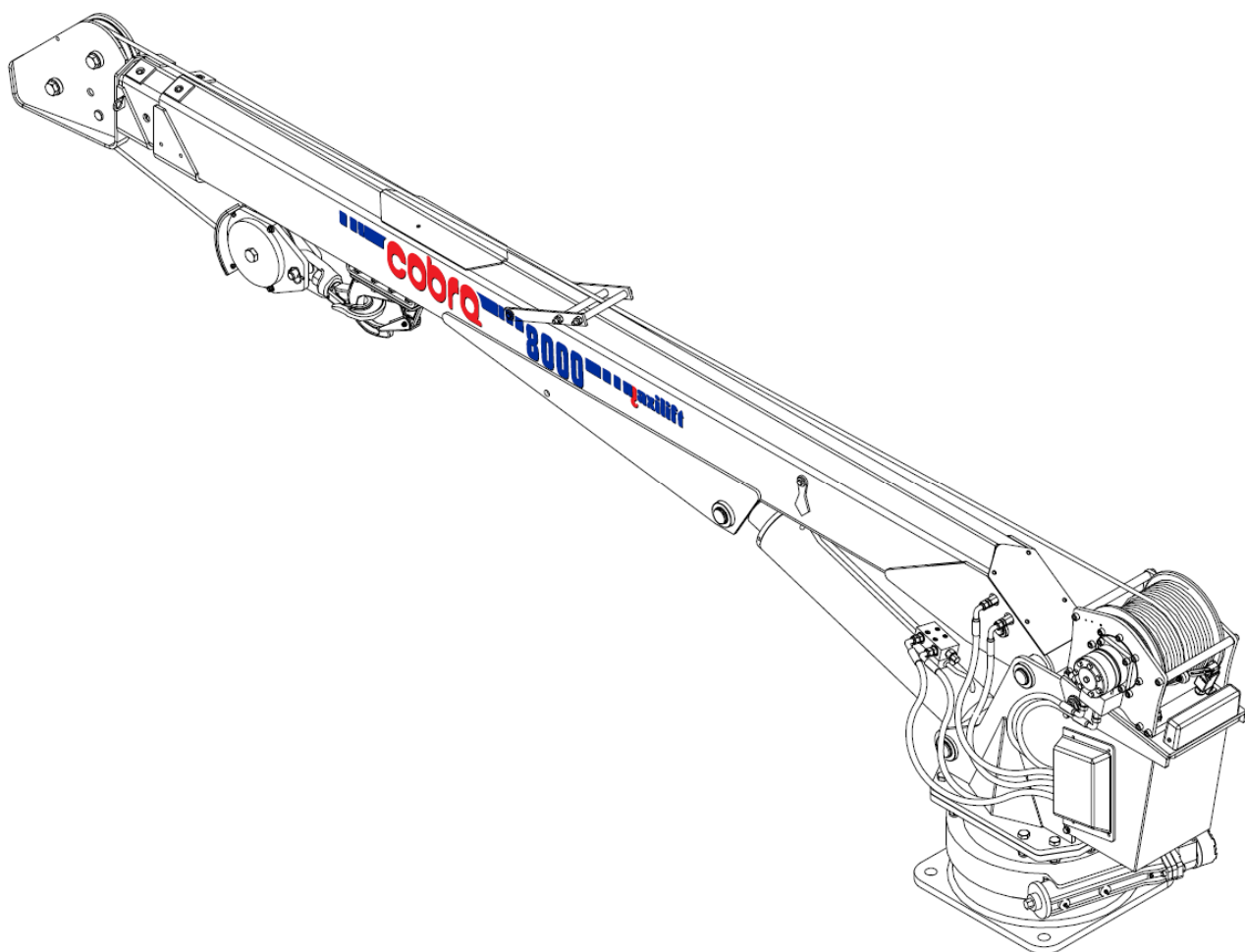


# maxilift 8000 cobra

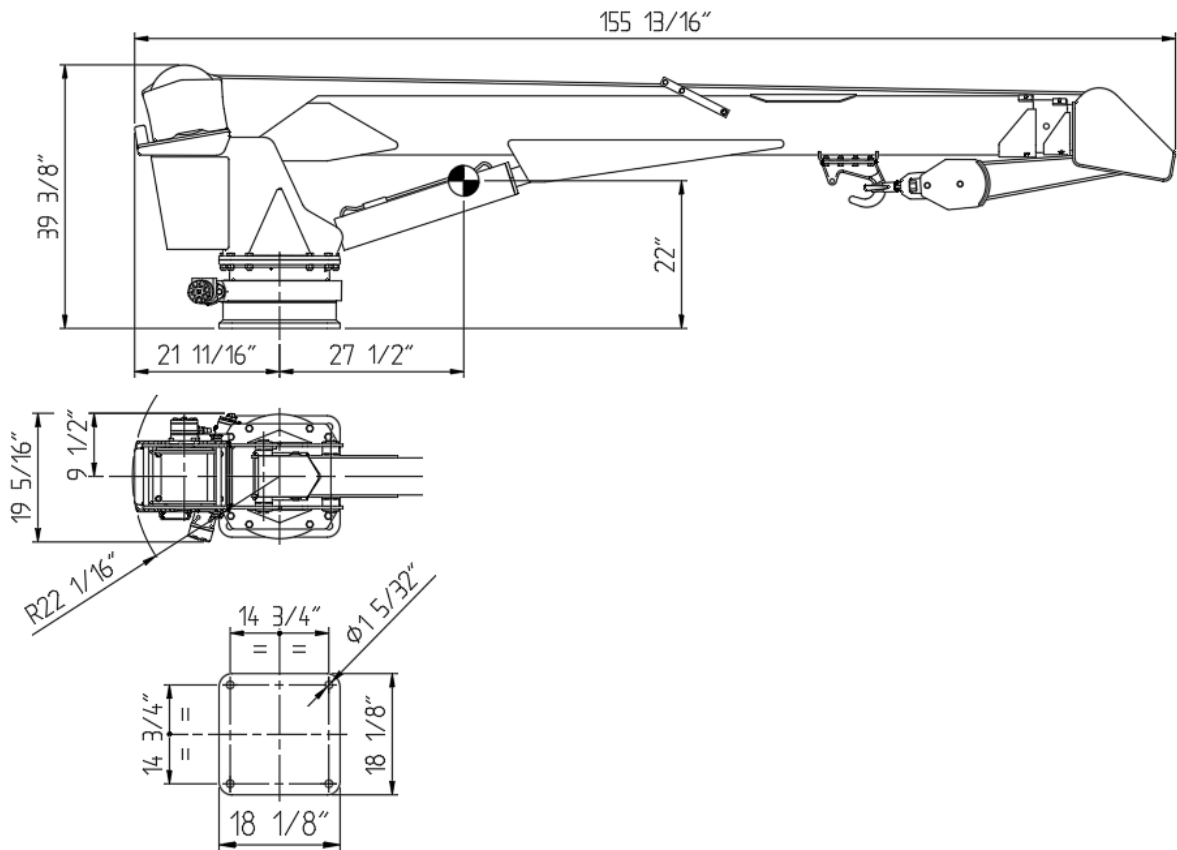
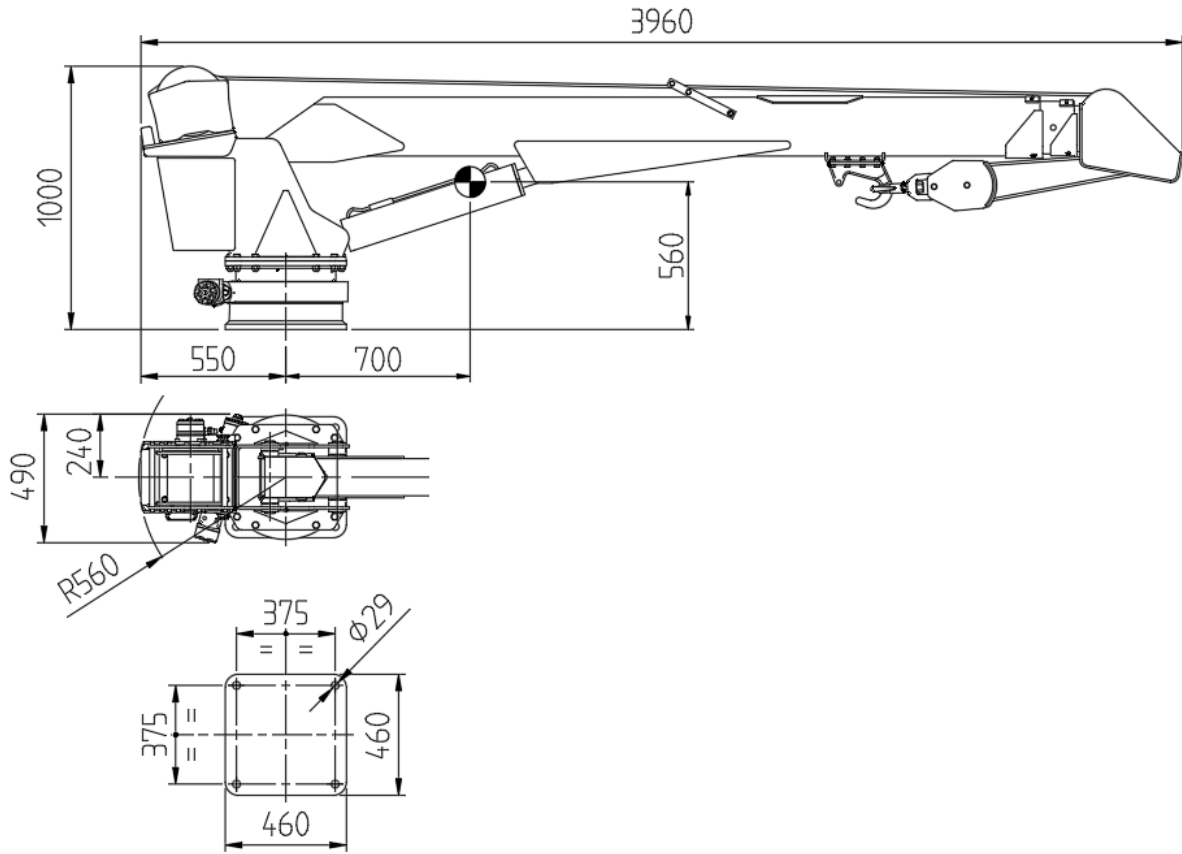


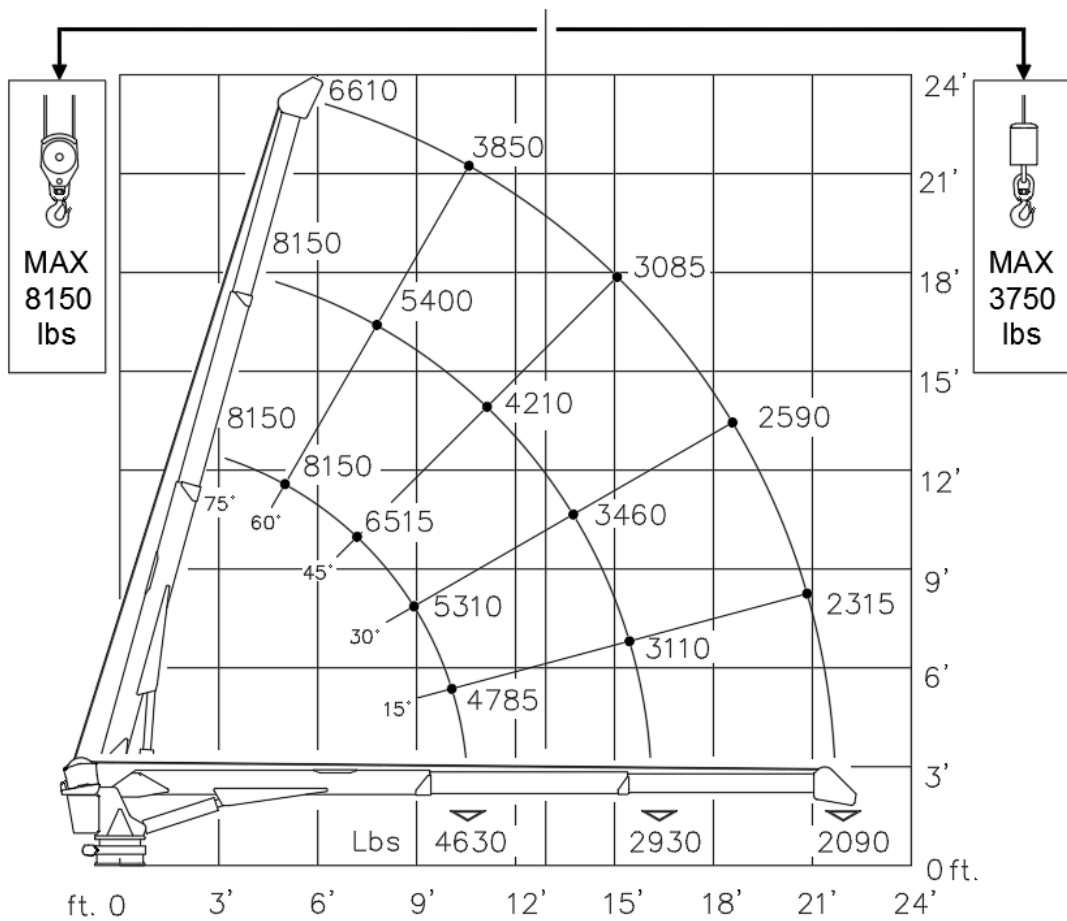
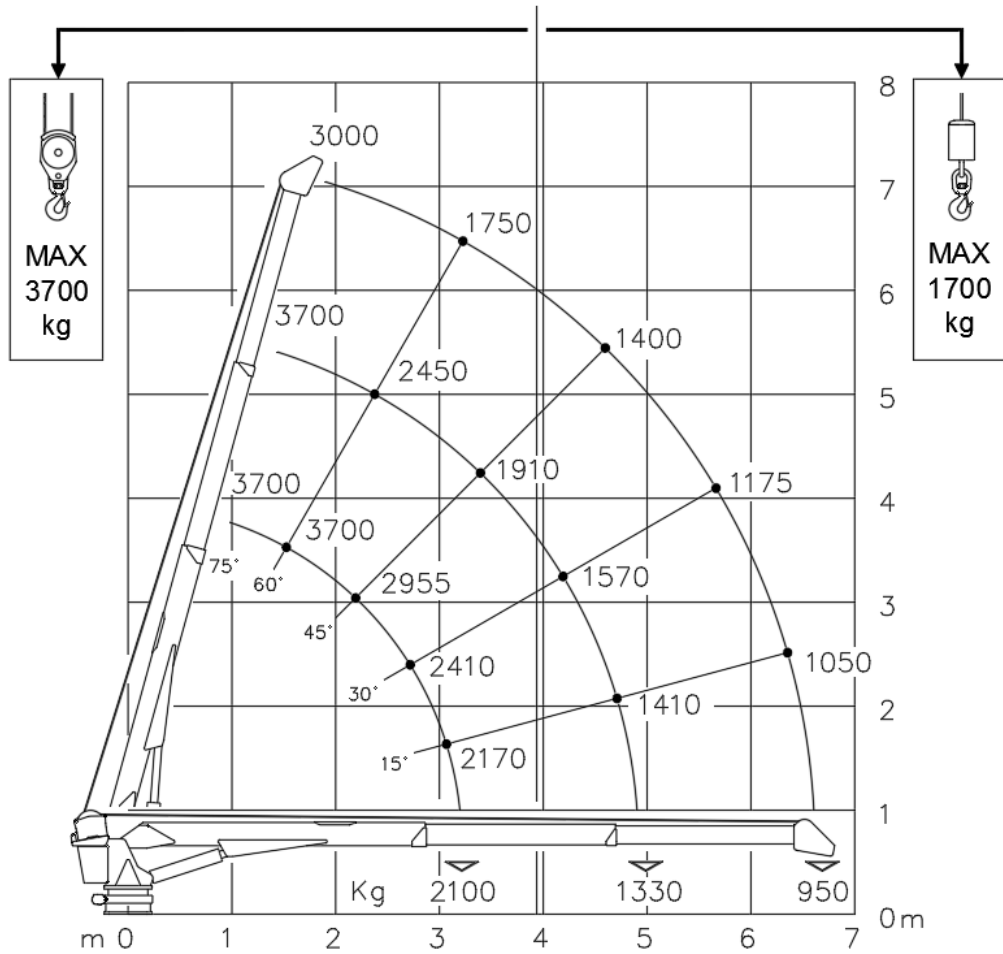
## TECHNICAL SHEET

MP.0.207  
Rev. 0



**Next Hydraulics**<sup>®</sup>  
RAISE YOUR EXPECTATIONS





<b>TECHNICAL DATA</b>		<b>Cobra 8000</b>	
CRANE RATING	kNm ft.lbs	67.8 50000	
EXTENSIONS TYPE		2 HYDRAULIC	
HYDRAULIC EXTENSION	m ft	3.4 11' 2"	
HORIZONTAL REACH (from center line of rotation)	m ft	6.65 21' 10"	
LIFTING HEIGHT FROM BASE OF CRANE	m ft	6.9 22'	
SLEWING ANGLE	°	CONTINUOUS	
SLEWING TORQUE	kNm ft.lbs	6.8 5000	
BOOM ELEVATION ANGLE	°	-6°/ +75°	
MAX. WORKING PRESSURE	bar psi	205 2970	
SUGGESTED OIL FLOW	l/min gpm	15 - 17 4 - 4.5	
CRANE WEIGHT	kg lbs	670 1480	

<b>WINCH SPECIFICATIONS</b>		
WINCH SINGLE LINE CAPACITY (1 <sup>ST</sup> layer)	kg lbs	2060 4540
WINCH SINGLE LINE CAPACITY (3 <sup>RD</sup> layer)	kg lbs	1700 3750
WINCH PULL LINE SPEED (2 <sup>ND</sup> -3 <sup>RD</sup> layer)	m/min ft/min	12 39
WIRE ROPE DIAMETER	mm in	10 3/8"
WIRE ROPE LENGTH	m ft	30 98' 5"





